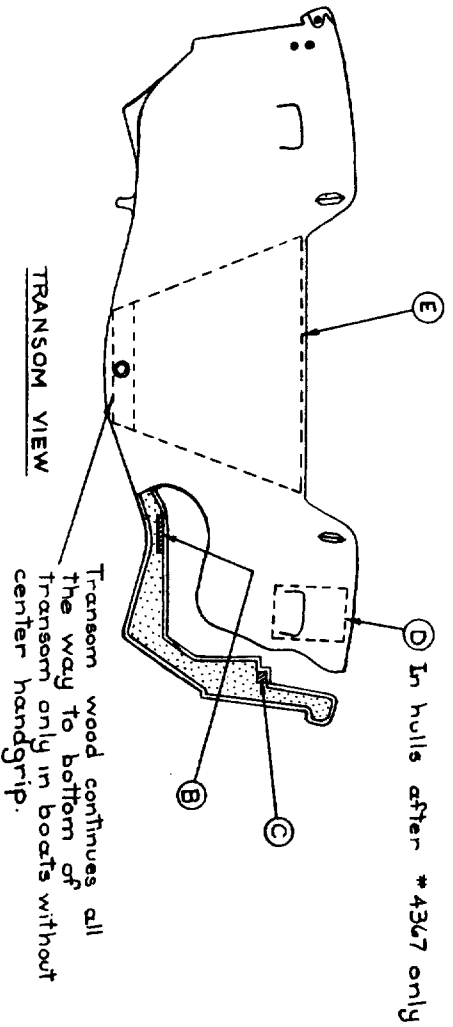


# Boston Whaler - 13' Wood Locating Diagram - All Models



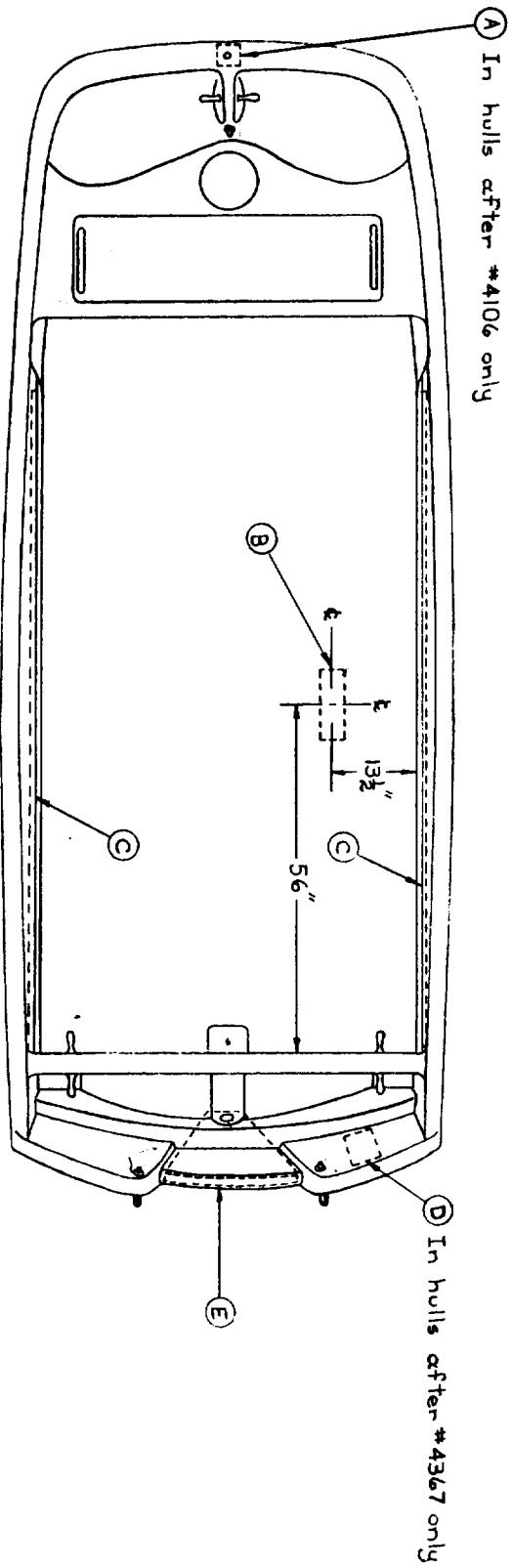
(E) In hulls after #4367 only

(D) In hulls after #4367 only

- (A) 2' x 2" x 1/2" ply on  $\phi$  of wire hole.
- (B) 3 1/2" x 12" x 3/4" ply, as noted.
- (C) 3/4" x 5" pine, 90° long from stem, bulkhead.
- (D) 5' x 7 1/2" x 1/2" ply behind handgrip
- (E) 1 1/2" high x 22" wide at top x 7 1/2" wide at bottom plywood, full Transom thickness.

### KEY

DECIMAL TOLERANCES ± EXCEPT AS NOTED  
 ANGULAR TOLERANCES ± EXCEPT AS NOTED  
 FRACTIONAL TOLERANCES ± EXCEPT AS NOTED



TOP VIEW

15-9

DWG NO. 15-9  
 ENGINEERING DEPARTMENT

**FISHER-PIERCE**  
 COMPANY, INC.  
 1149 Hingham St., Rockland, Mass.

SCALE: DATE: DRAWN: CHECKED: APPROVED:  
 None 6/17/64 JEB JY RPD

REVISION	DESCRIPTION	DATE	BY	APP'D
A	Completely Redrawn by original dated 2/3/63 lost	1/17/64	JEB	JEB
B	Cut-away Trans. View to show hand(C) wood.	7/22/64	JEB	JEB

TREATMENT OR FINISH	DISTRIBUTION CODE